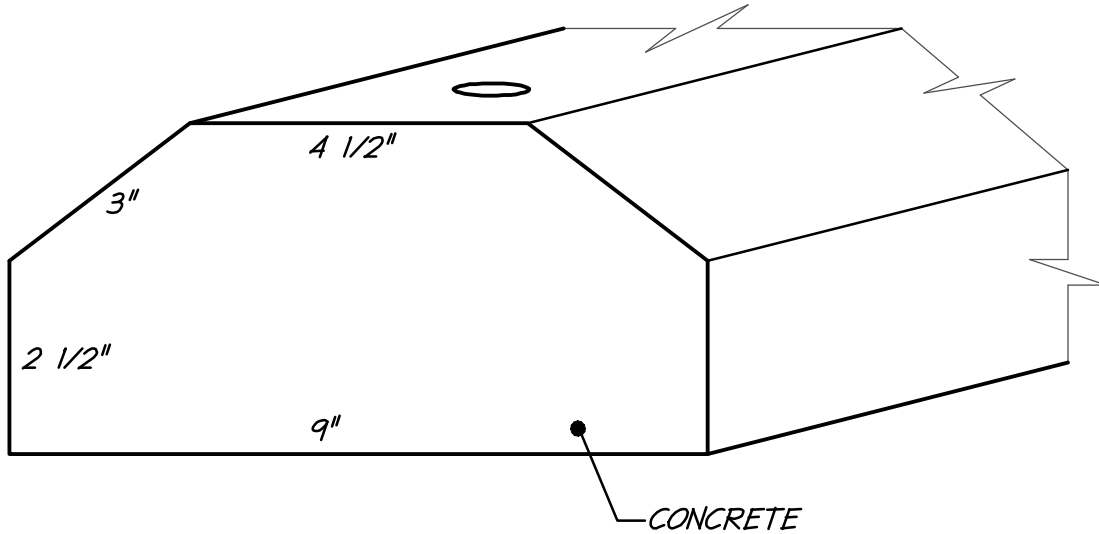


6 FT. - CONCRETE
9" WIDE
5" HIGH
2 STEEL BARS - REINFORCED
2 PRE-FORMED HOLES
APPROXIMATE WEIGHT - 210 LBS.



NOTES:

1. Attach wheelstop to ground using steel reinforcing bars 2' in length, driven down flush with wheelstop or as approved by owner.

NTS

Date: 6-3-2013