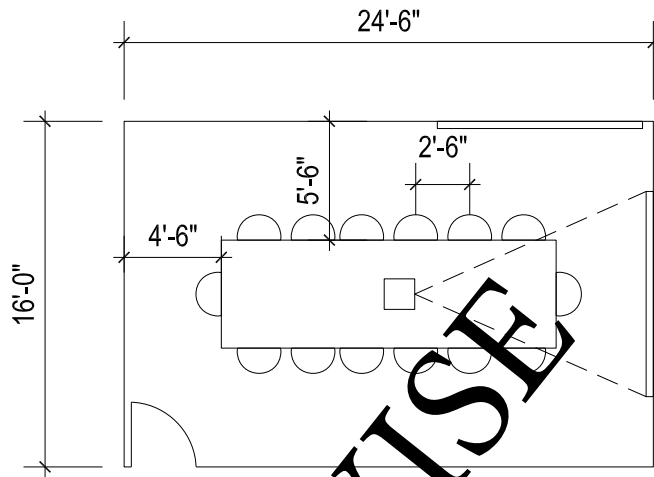
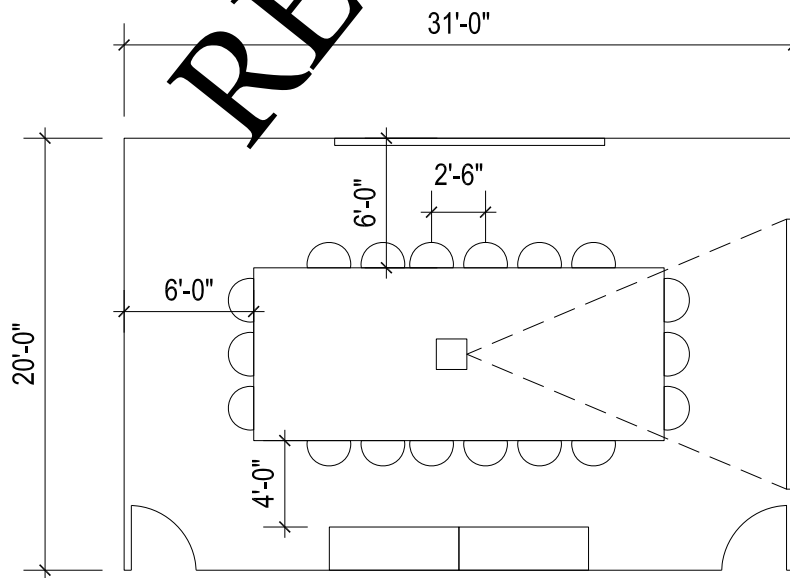


204sf - 26sf/pp
8 seats



392sf - 28sf/pp
14 seats



620sf - 34sf/pp
18 seats

NTS

Date: 6-3-2013